

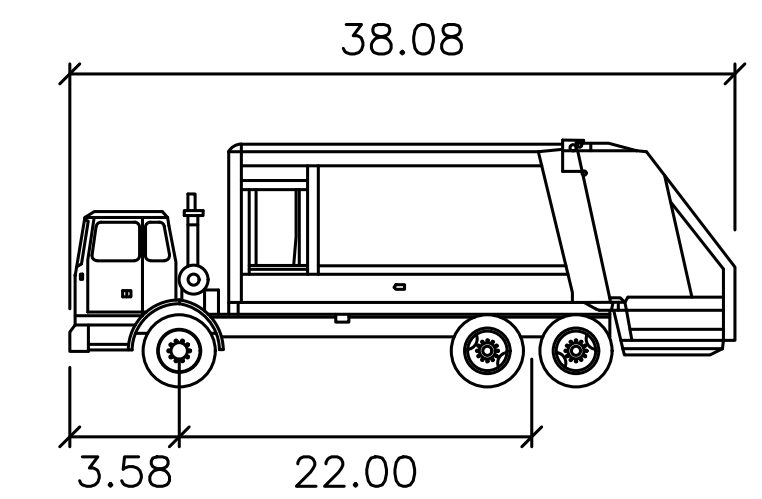
HILLSDALE AVENUE

BLOCK 1106  
LOT 3

BLOCK 1106  
LOT 2= 7791  
SQUARE  
FEET

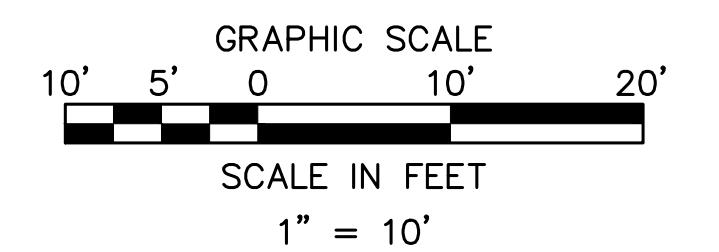
BLOCK 1106  
LOT 1= 16543 SQUARE FEET

ZONE C  
BLOCK 1106  
LOT 2



Front-Load Garbage Truck

- Width : 8.00
- Track : 8.00
- Lock to Lock Time : 6.0
- Steering Angle : 31.0



12 PARKING SPACES

14 PARKING SPACES

TRASH ENCLOSURE

PASCACK

PROJECT:

TIME: 9:38 PM

DATE: 5/21/2021

KLEIN TRAFFIC CONSULTING, LLC  
This drawing and all information contained herein is proprietary information of KLEIN TRAFFIC CONSULTING, LLC and may not be copied or reproduced, either in whole or in part, by any method, without written permission of KLEIN TRAFFIC CONSULTING, LLC.

Date	Revision	Drawn By:	Checked By:
453 Hillside Avenue Block 1106, Lots 1 & 2 Borough of Hillside Bergen County New Jersey			
<b>FRONT LOAD GARBAGE TRUCK EXHIBIT 1</b>			
<b>KLEIN</b> TRAFFIC CONSULTING, LLC <small>www.kleintraffic.com</small>		Job #: Scale: AS SHOWN Date: 5/20/2021	Exhibit: 1
<small>156 WALKER ROAD WEST ORANGE, N.J. 07052 PH: 973-885-3464 CERT. OF AUTH. # 24GA28239000</small>		 LEE D. KLEIN, P.E. NJ PROFESSIONAL ENGINEER LICENSE NO. 24GE03710400	Drawn By: B.A.C. Checked By: L.D.K.