

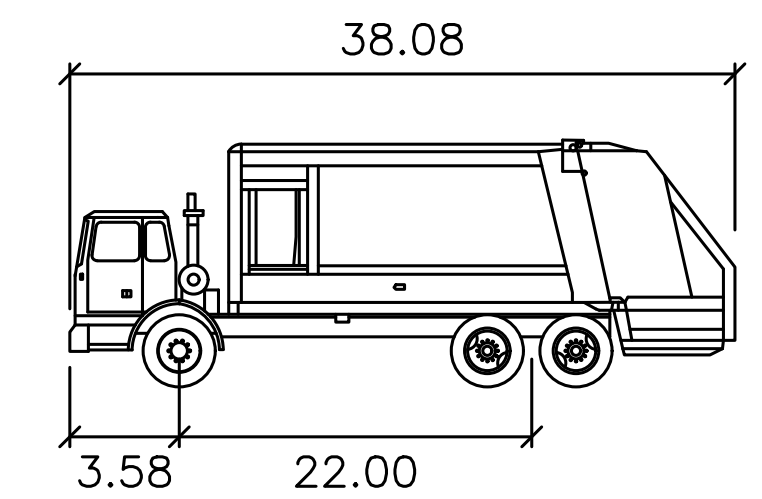
HILLSDALE AVENUE

BLOCK 1106
LOT 3

BLOCK 1106
LOT 2= 7791
SQUARE
FEET

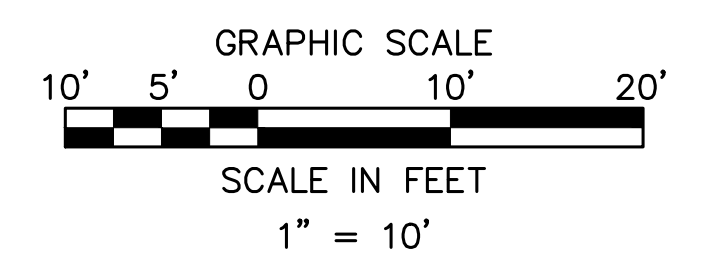
BLOCK 1106
LOT 1= 16543 SQUARE FEET

ZONE C
BLOCK 1106
LOT 2



Front-Load Garbage Truck

- Width : 8.00
- Track : 8.00
- Lock to Lock Time : 6.0
- Steering Angle : 31.0



12 PARKING SPACES

14 PARKING SPACES

TRASH ENCLOSURE

PASCACK

PATTERSON STREET

GARBAGE TRUCK
Custom

GARBAGE TRUCK
Custom

GARBAGE TRUCK
Custom

PROJECT:

TIME: 9:38 PM

DATE: 5/21/2021

KLEIN TRAFFIC CONSULTING, LLC
This drawing and all information contained herein is proprietary information of KLEIN TRAFFIC CONSULTING, LLC and may not be copied or reproduced, either in whole or in part, by any method, without written permission of KLEIN TRAFFIC CONSULTING, LLC.

KLEIN
TRAFFIC CONSULTING, LLC
156 WALKER ROAD
WEST ORANGE, N.J. 07052
PH: 973-885-3464
CERT. OF AUTH. # 24GA28239000

Lee D. Klein
LEE D. KLEIN, P.E.
NJ PROFESSIONAL ENGINEER
LICENSE NO. 24GE03710400

Job #: _____
Scale: AS SHOWN
Date: 5/20/2021
Drawn By: B.A.C.
Checked By: L.D.K.
Exhibit: **1**

Date	Revision	Drawn By	Checked By

453 Hillside Avenue
Block 1106, Lots 1 & 2
Borough of Hillside Bergen County New Jersey

FRONT LOAD GARBAGE TRUCK EXHIBIT 1