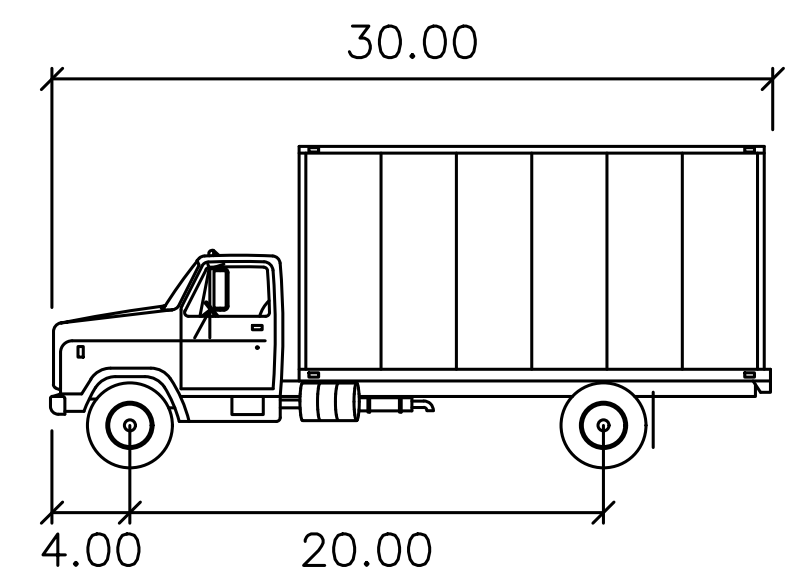


HILLSDALE AVENUE

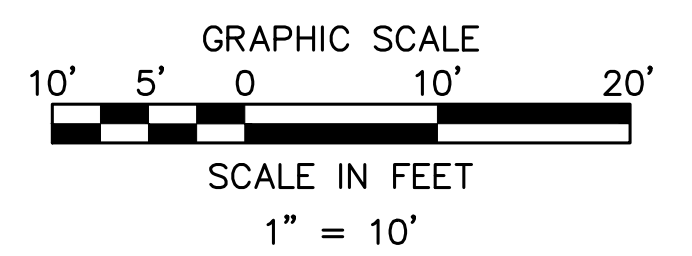
ZONE C
BLOCK 1106
LOT 2



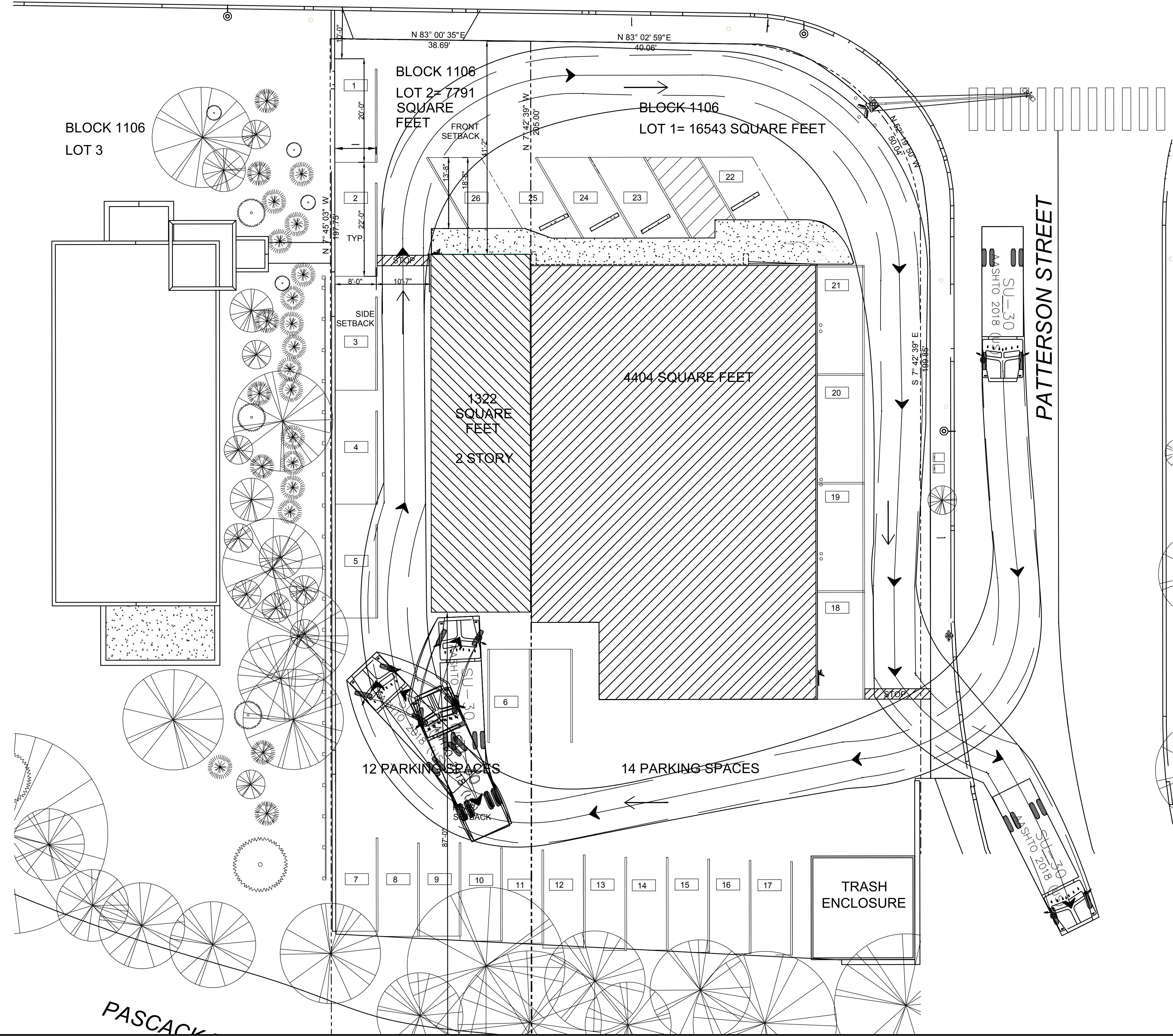
SU-30

feet

Width : 8.00
Track : 8.00
Lock to Lock Time : 6.0
Steering Angle : 31.8



PROJECT: DATE: 5/20/2021 TIME: 10:19 AM



Date	Revision	Drawn By:	Checked By:
453 Hillside Avenue Block 1106, Lots 1 & 2			
Borough of Hillside		Bergen County	New Jersey
CIRCULATION EXHIBIT 2			
KLEIN TRAFFIC CONSULTING, LLC www.kleintraffic.com 156 WALKER ROAD WEST ORANGE, N.J. 07052 PH: 973-885-3464 CERT. OF AUTH. # 24GA28239000		Job #:	
		Scale: AS SHOWN	
		Date: 5/20/2021	
		Drawn By: B.A.C.	Exhibit: 2
		Checked By: L.D.K.	

KLEIN TRAFFIC CONSULTING, LLC
This drawing and all information contained herein is proprietary information of KLEIN TRAFFIC CONSULTING, LLC and may not be copied or reproduced, either in whole or in part, by any method, without written permission of KLEIN TRAFFIC CONSULTING, LLC.

Lee D. Klein
LEE D. KLEIN, P.E.
NJ PROFESSIONAL ENGINEER
LICENSE NO. 24GE03710400