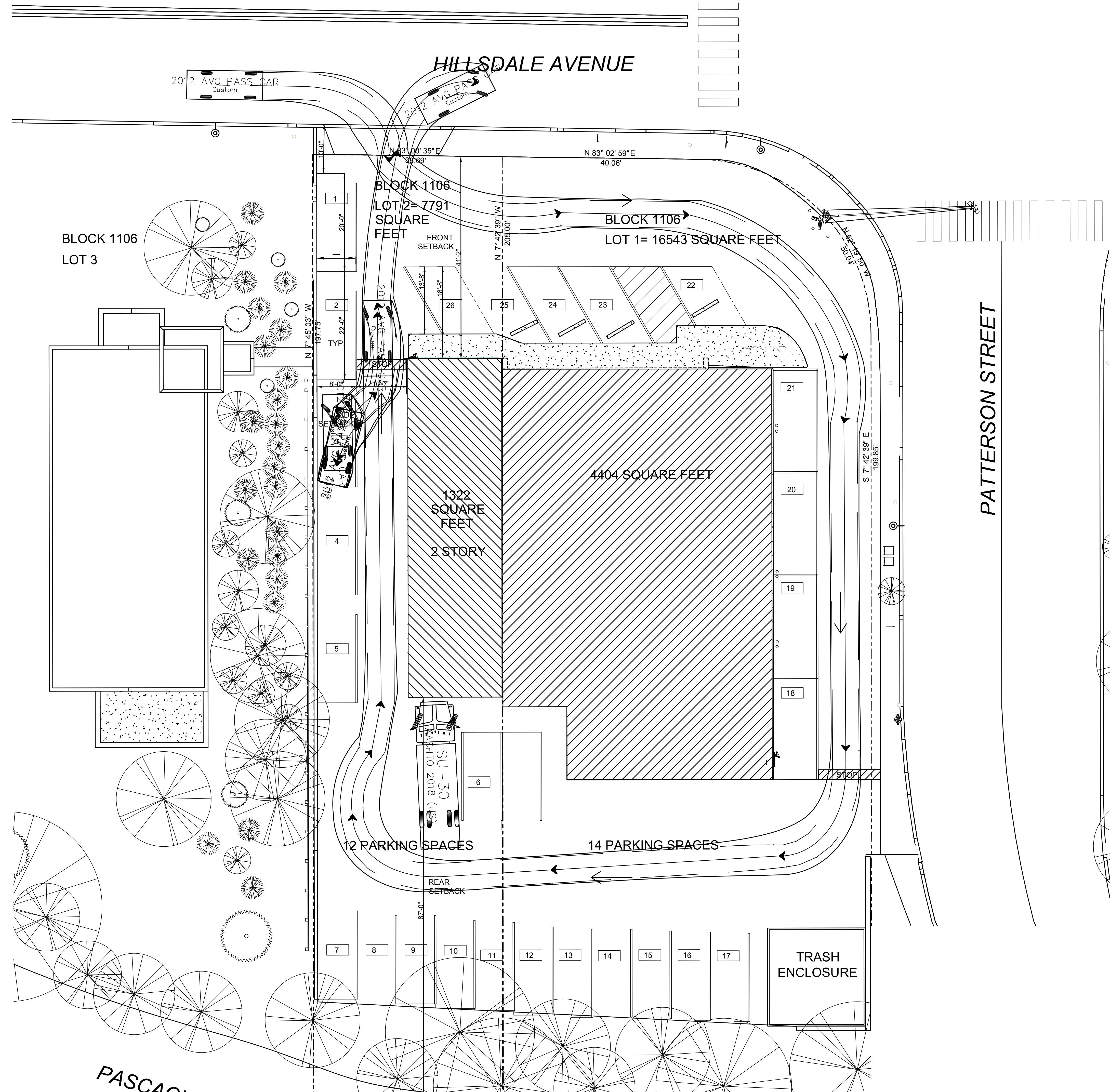


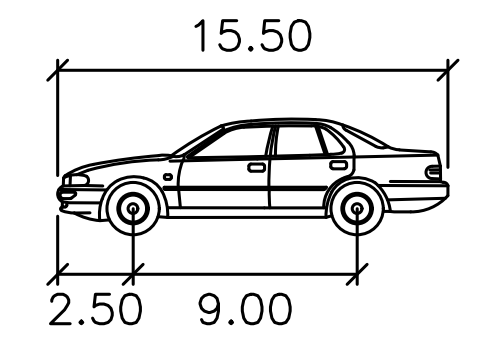
PROJECT:

TIME: 9:05 AM

DATE: 5/21/2021

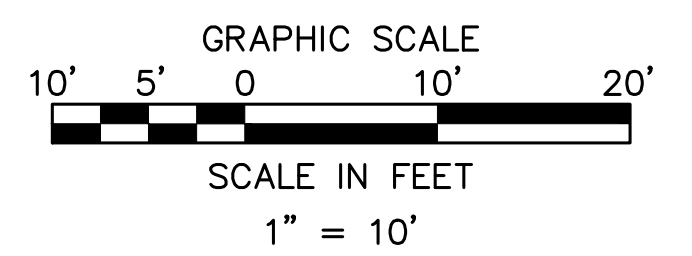


ZONE C  
BLOCK 1106  
LOT 2



2012 AVG PASS CAR

Width : 5.90  
Track : 5.42  
Lock to Lock Time : 6.0  
Steering Angle : 40.0



Date	Revision	Drawn By:	Checked By:

453 Hillsdale Avenue  
Block 1106, Lots 1 & 2  
Borough of Hillsdale Bergen County New Jersey

**PASSENGERS CAR PLAN  
EXHIBIT 3**

<b>KLEIN</b> TRAFFIC CONSULTING, LLC <small>156 WALKER ROAD WEST ORANGE, N.J. 07052 PH: 973-885-3464 CERT. OF AUTH. # 24GA28239000</small>	Job #: Scale: AS SHOWN Date: 5/20/2021
	Drawn By: B.A.C. Checked By: L.D.K.

Exhibit: **3**

KLEIN TRAFFIC CONSULTING, LLC  
This drawing and all information contained herein is proprietary information of KLEIN TRAFFIC CONSULTING, LLC and may not be copied or reproduced, either in whole or in part, by any method, without written permission of KLEIN TRAFFIC CONSULTING, LLC.