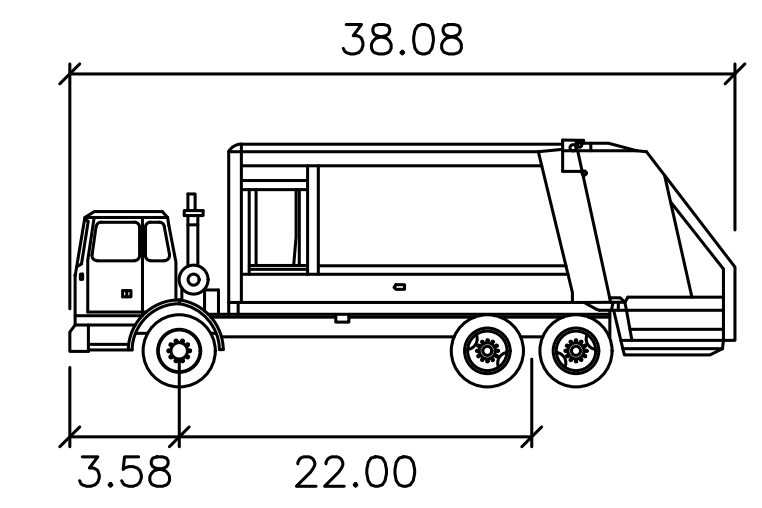
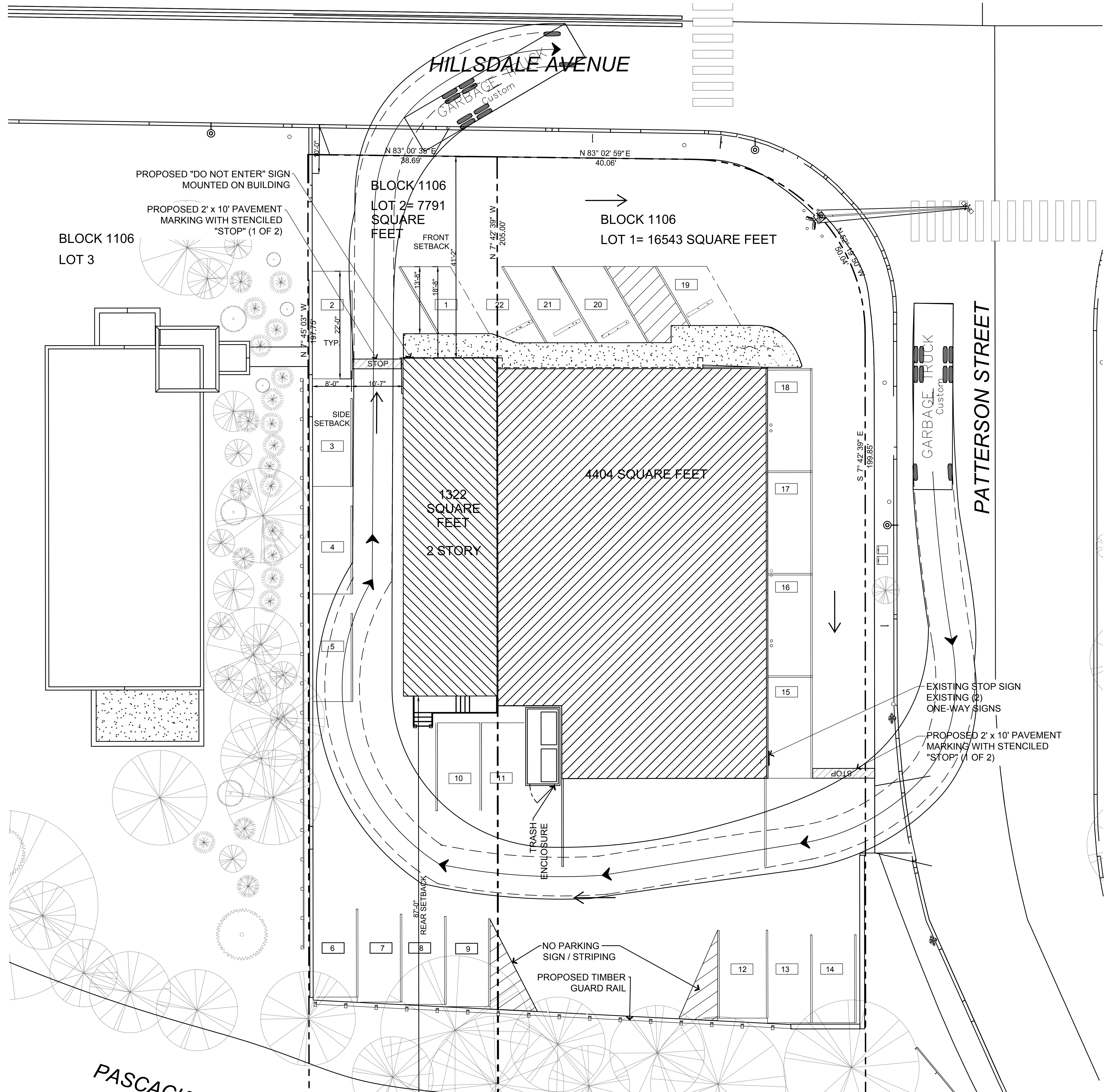


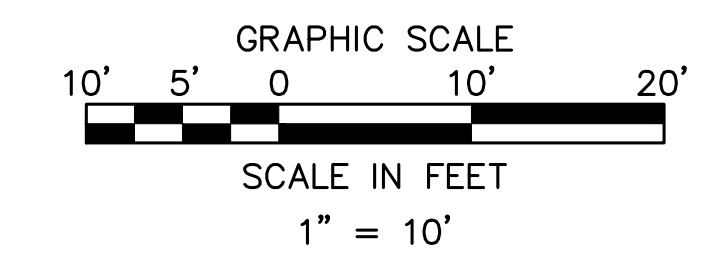
PROJECT:

TIME: 7:48 PM

DATE: 10/15/2021



Front-Load Garbage Truck
feet
Width : 8.00
Track : 8.00
Lock to Lock Time : 6.0
Steering Angle : 31.0



Date	Revision	Drawn By	Checked By

453 Hillsdale Avenue
Block 1106, Lots 1 & 2
Borough of Hillsdale Bergen County New Jersey

FRONT LOAD GARBAGE TRUCK EXHIBIT 1

KLEIN TRAFFIC CONSULTING, LLC www.kleintraffic.com 156 WALKER ROAD WEST ORANGE, N.J. 07052 PH: 973-885-3464 CERT. OF AUTH. # 24GA28239000	Job #: Scale: AS SHOWN Date: 10/15/2021
	Drawn By: B.A.C. Checked By: L.D.K.

KLEIN TRAFFIC CONSULTING, LLC
This drawing and all information contained herein is proprietary information of KLEIN TRAFFIC CONSULTING, LLC and may not be copied or reproduced, either in whole or in part, by any method, without written permission of KLEIN TRAFFIC CONSULTING, LLC.

Lee D. Klein
LEE D. KLEIN, P.E.
NJ PROFESSIONAL ENGINEER
LICENSE NO. 24GE03710400