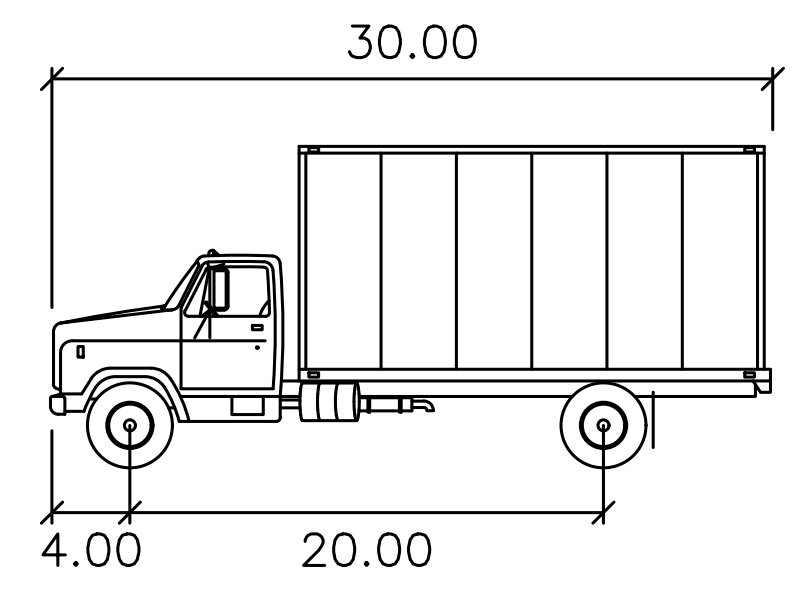
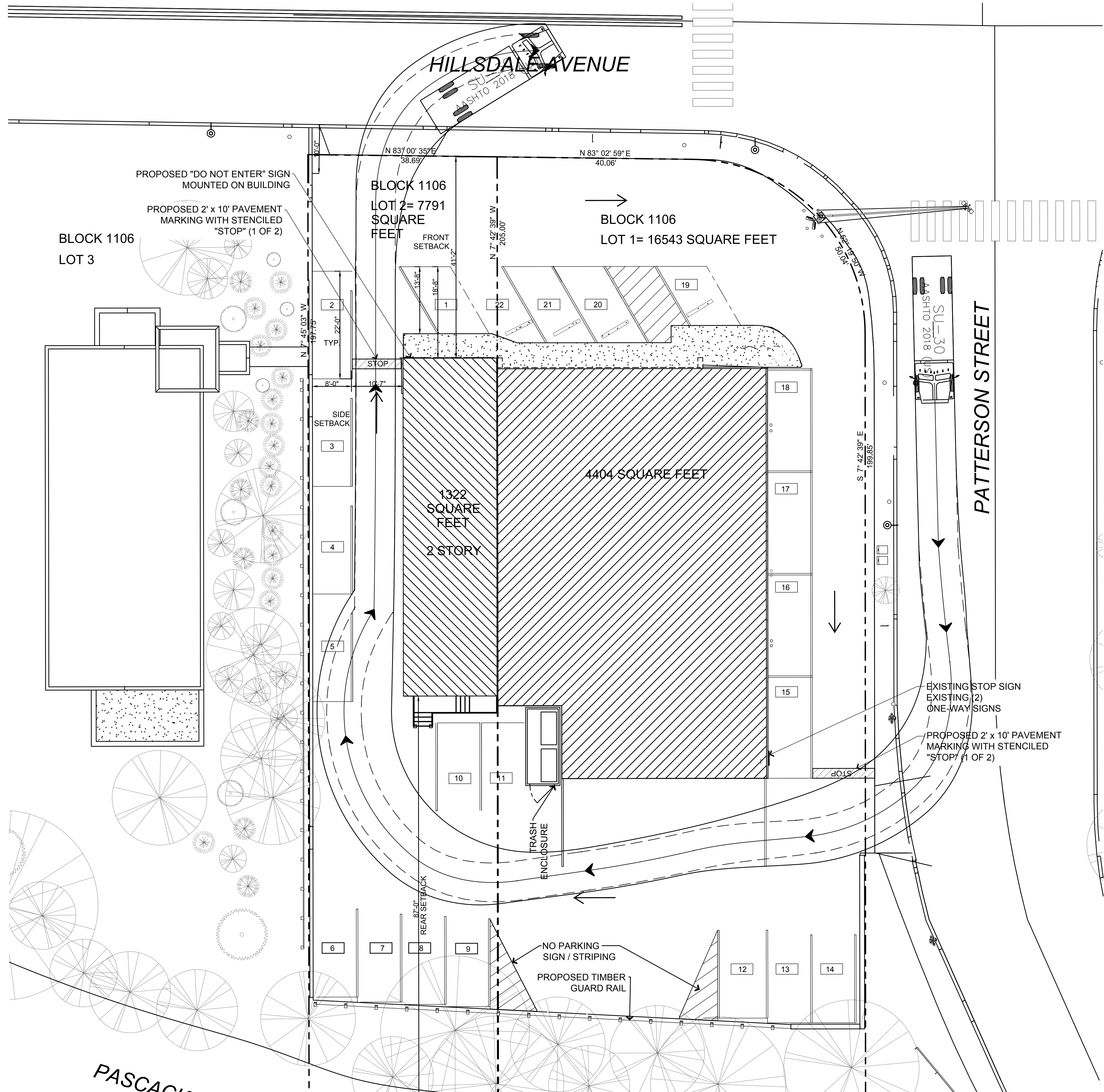


PROJECT:

TIME: 9:41 PM

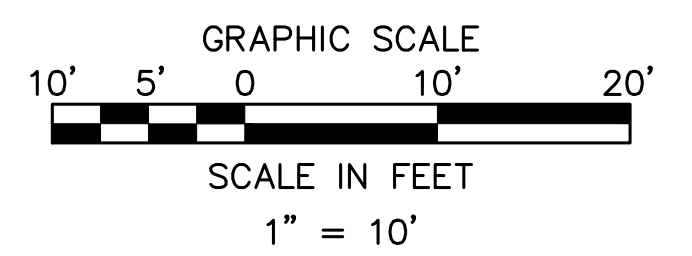
DATE: 10/15/2021



**SU-30**

feet

Width : 8.00  
 Track : 8.00  
 Lock to Lock Time : 6.0  
 Steering Angle : 31.8



Date	Revision	Drawn By:	Checked By:

453 Hillsdale Avenue  
 Block 1106, Lots 1 & 2  
 Borough of Hillsdale Bergen County New Jersey

**DELIVERY TRUCK PLAN**  
**EXHIBIT 2**

<b>KLEIN</b> TRAFFIC CONSULTING, LLC <small>156 WALKER ROAD          WEST ORANGE, N.J. 07052          PH: 973-885-3464          CERT. OF AUTH. # 24GA28239000</small>	Job #: Scale: AS SHOWN Date: 10/15/2021
	Drawn By: B.A.C. Checked By: L.D.K.

**2**

KLEIN TRAFFIC CONSULTING, LLC  
 This drawing and all information contained herein is proprietary information of KLEIN TRAFFIC CONSULTING, LLC and may not be copied or reproduced, either in whole or in part, by any method, without written permission of KLEIN TRAFFIC CONSULTING, LLC.