

PROJECT: TIME: 7:48 PM DATE: 10/15/2021

HILLSDALE AVENUE

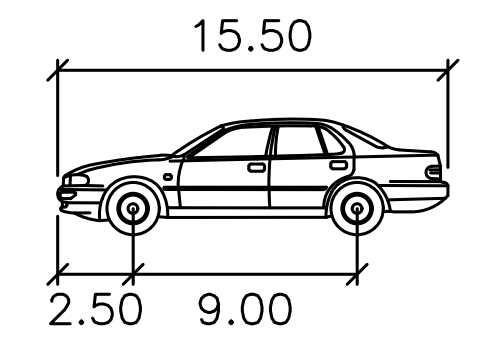
PATTERSON STREET

BLOCK 1106
LOT 3

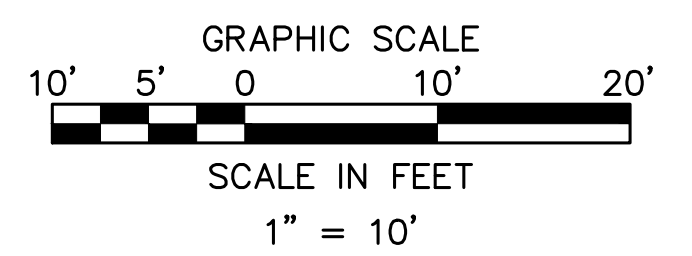
PROPOSED "DO NOT ENTER" SIGN MOUNTED ON BUILDING
PROPOSED 2' x 10' PAVEMENT MARKING WITH STENCILED "STOP" (1 OF 2)

BLOCK 1106
LOT 2 = 7791 SQUARE FEET
BLOCK 1106
LOT 1 = 16543 SQUARE FEET

4404 SQUARE FEET
1322 SQUARE FEET
2 STORY



2012 AVG PASS CAR
Width : 5.90
Track : 5.42
Lock to Lock Time : 6.0
Steering Angle : 40.0



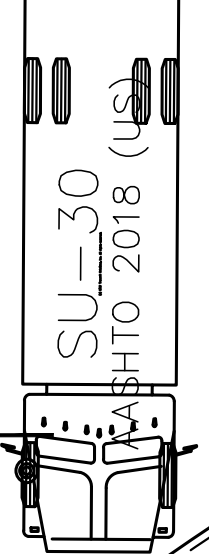
EXISTING STOP SIGN EXISTING (2)
ONE-WAY SIGNS

PROPOSED 2' x 10' PAVEMENT MARKING WITH STENCILED "STOP" (1 OF 2)

TRASH ENCLOSURE

NO PARKING SIGN / STRIPING

PROPOSED TIMBER GUARD RAIL



Date	Revision	Drawn By	Checked By

453 Hillside Avenue
Block 1106, Lots 1 & 2
Borough of Hillside Bergen County New Jersey

PASSENGERS CAR PLAN
EXHIBIT 4

KLEIN
TRAFFIC CONSULTING, LLC
156 WALKER ROAD
WEST ORANGE, N.J. 07052
PH: 973-885-3464
CERT. OF AUTH. # 24GA28239000

Lee D. Klein
LEE D. KLEIN, P.E.
NJ PROFESSIONAL ENGINEER
LICENSE NO. 24GE03710400

Job #: Scale: AS SHOWN
Date: 10/15/2021
Drawn By: B.A.C. Exhibit: 4
Checked By: L.D.K.

KLEIN TRAFFIC CONSULTING, LLC
This drawing and all information contained herein is proprietary information of KLEIN TRAFFIC CONSULTING, LLC and may not be copied or reproduced, either in whole or in part, by any method, without written permission of KLEIN TRAFFIC CONSULTING, LLC.